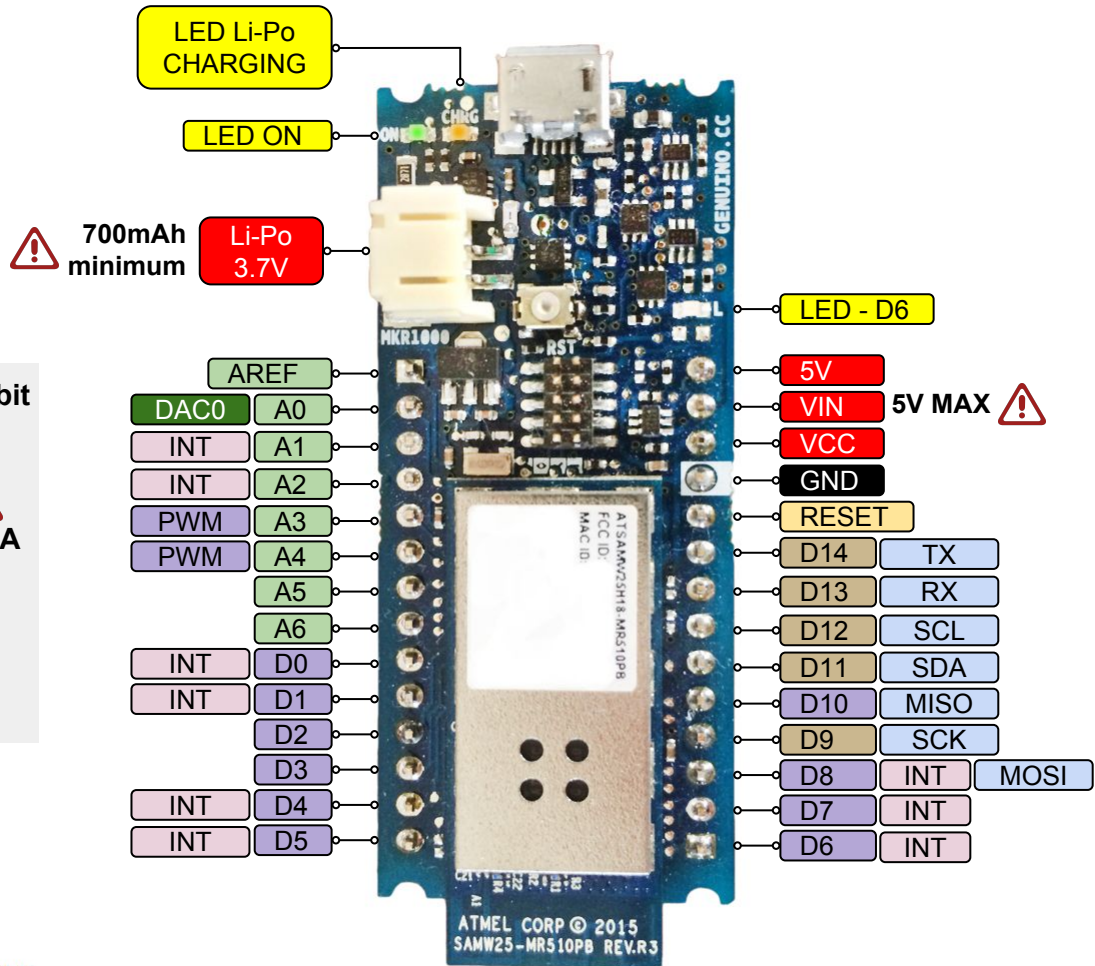


# MKR1000 PINOUT



Analog Input = ADC 8/10/12 bit  
 Analog Output = DAC 10 bit

DC Current per I/O Pin = 7 mA

Flash Memory = 256 KB  
 SRAM = 32 KB

- Power
- GND
- Analog Input
- Analog Output
- PWM Pin
- Digital Pin I/O
- Interrupt Pin
- Control Pin
- LED